

MATERIAL SPECIFICATIONS:

FRAME : .83 ALUMINUM EXTRUSION
LEG : 3/4" X 18 GAUGE C.R.E.W. STEEL TUBING
FLOORPLATE : 3/4" PAINTED PLYWOOD

CONSTRUCTION SPECIFICATIONS:

THE BED IS AVAILABLE IN THE 5 SIZES CHARTED IN THE MIDDLE OF THIS DRAWING.

THE BOTTOM OF THE BED FRAME PROVIDES THE WALL CLOSURE. BED IS SHIPPED WITH NO FACE, 3/8" FINISHED LAMINATE FACE IN CHOICE OF COLORS, OR WITH 3/8" PAINT-READY FACE PANEL.

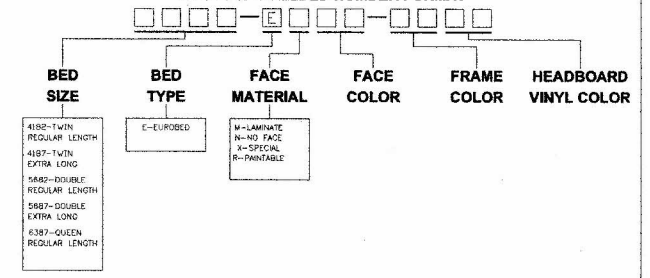
RECESS MUST BE CONSTRUCTED BEFORE BED IS INSTALLED. SHEETROCK CONSTRUCTION IS NOT ALLOWABLE ALONGSIDE BED FOR SUPPORT. BED MOUNTS INTO A STEEL ATTACHMENT PLATE WHICH IS SECURED TO EACH SIDE OF RECESS. A MINIMUM OF 3/4" PLYWOOD IS REQUIRED FOR ATTACHMENT OF PLATES AND BUMPERS.

TWO PULL HANDLES ARE PROVIDED WITH EACH BED FOR CUSTOMER TO INSTALL, OR THEY MAY USE THEIR OWN HANDLE DESIGN. (2) PILOT HOLES ARE DRILLED ALONG EACH SIDE OF THE FRAME ON 3" CENTERS FOR ATTACHING HANDLES.

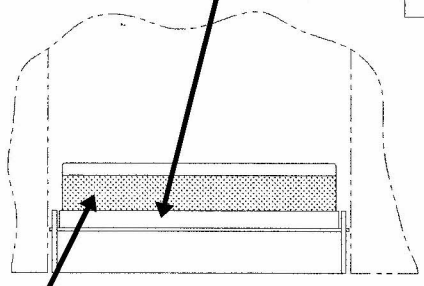
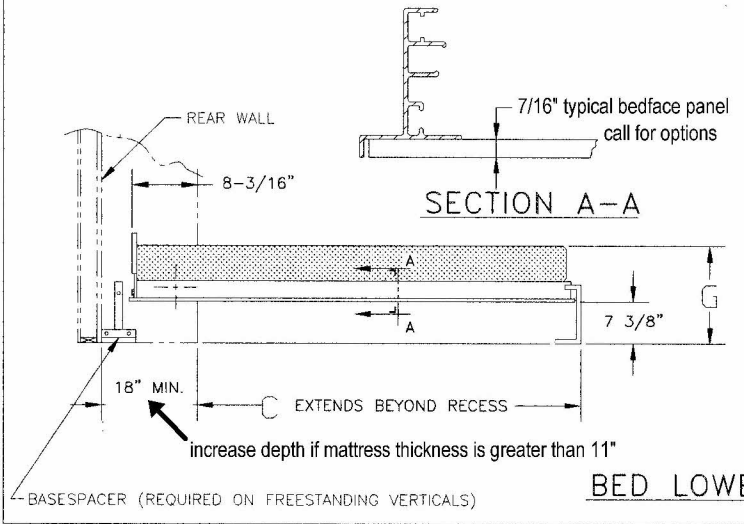
ADJUSTMENT BOLTS ALLOW ALIGNMENT IN THE RECESS OPENING AND COMPENSATE FOR THE WEIGHT AND DIFFERENCES IN BED FACES. BED IS SHIPPED IN ONE CARTON.

BED SIZE	A	B	C	D	E	F
TWIN	40-1/2"	78-1/2"	68-3/8"	41"	78-7/8"	67-7/8"
TWIN XL	40-1/2"	83-1/2"	73-5/16"	41"	83-7/8"	72-7/8"
DOUBLE	55-1/2"	78-1/2"	68-3/8"	56"	78-7/8"	67-7/8"
DOUBLE XL	55-1/2"	83-1/2"	73-5/16"	56"	83-7/8"	72-7/8"
QUEEN	62"	83-1/2"	73-5/16"	62-1/2"	83-7/8"	72-7/8"

EUROBED WALLBED NUMBER FORMAT



Metal Frame of Eurobed supports wood slat foundation for 'built-in' box spring function.



Mattress selection is your choice of manufacturer. Thickness is critical. It is our suggestion you call our office for correct storage depth and operation of the mattress you prefer. 12" plus thickness will be 24/7 model Eurobed

BED LOWERED

DO NOT SCALE DRAWING

SICO COPYRIGHT 1986
FlyingBeds.com Inc. Denver, Colorado USA
5125 E. Stapleton Dr 80216 888 892-4645

Standard Eurobed Specification

71816

DATE	2/16/05
DRAWN BY	GDH
CHK'D BY	-
SCALE	1/4" = 1'-0"
FINISH	N/A
REV	A
SHEET	1 of 1